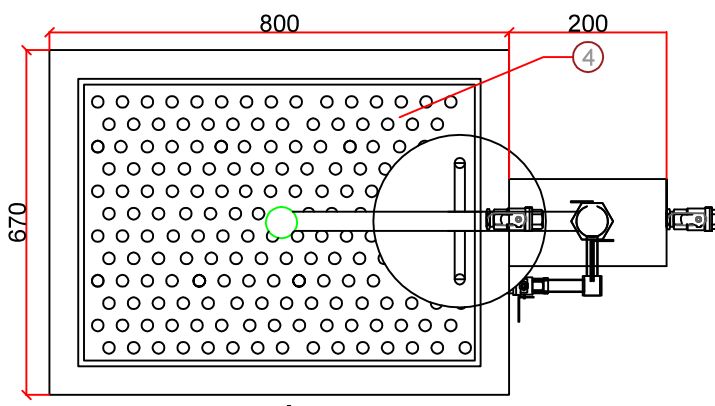


Standards: EN 15154-1-2
 Water Flow: 75,7 lt / min for Shower
 11,4 lt/min for eye wash
 Total Weight: 40 kgs
 Packed Dimensions: 71x101x27 cm

Static test pressure : 7 bar
 Min using pressure : 1,4 bar
 Max using pressure : 2,8 bar



-top view-

NO.	DESCRIPTION	MATERIAL
13	Emergency Sign	Phosphorus
12	Push Handle Control for Eyewash	Stainless Steel 304
11	Pull rod control for Shower	Stainless Steel 304
10	Spray Nozzles	Brass
9	Dust Cover on Eyewash Spray	Plastic
8	Eyewash Bowl	Stainless Steel 304
7	1/2" Ball Valve	Stainless Steel 304
6	Water Outlet 1/2", Frost Protection	Stainless Steel 304
5	Water Inlet 1"	Stainless Steel 304
4	Platform Control for Non-freeze	Stainless Steel 304
3	Pipes	Stainless Steel 304
2	1" Ball Valve	Stainless Steel 304
1	Shower head	Polyethylene(Green)

	REV.	DATE	DESCRIPTION	DESIGNED	CHECKED	APPROVED	
	A		FIRST ISSUE	SS	FA	ST	
STATUS FOR INFORMATION <input type="checkbox"/> FOR REVIEW <input type="checkbox"/> FOR APPROVAL <input type="checkbox"/>	FOR RFO/DESIGN <input checked="" type="checkbox"/>			ORIGINAL EDITION DESIGNED <input checked="" type="checkbox"/> CHECKED <input checked="" type="checkbox"/> APPROVED <input checked="" type="checkbox"/>	SS FA ST	SIZE A4	SCALE 1/100

IST İsci Sağlığı Teçizatı Sanayi ve Ticaret Ltd Sti
 Ostim Melih Gökçek Blv 31 Cadde 2269 sokak 42
 Ankara Türkiye 06374 www.ist.com.tr
 Ph 0090312 384 13 00 Fax 0090312 341 73 03

CUSTOMER

PRODUCT Combined Unit, ISTEÇ Type ESW
 Pedestal Type With Platform for Non-Freeze

DRAWING NUMBER/DATE:	SHEET:	DRAWING NAME:
3716/1	1	23-1503-400
	OF: 1	