

- Exceeds American National Standard Z358.1 Specifications
- Exceeds European EN 15154-1
- Easily Mounts in Open Area
- Galvanized Steel Protected with BradTect® Safety Yellow Coating
- Universal Identification Sign and Inspection Tag Included
- Full, One-Year Warranty
- SpinTec™ showerheads are covered by one or more of the following patents: 8113446; D594,089; D669,555; Reg. Comm. Des. D001079560-0001. Other patents pending.
- Classified by Underwriters Laboratory Inc. to ANSI Z358.1
- Listed by Intertek to EN 15154-1



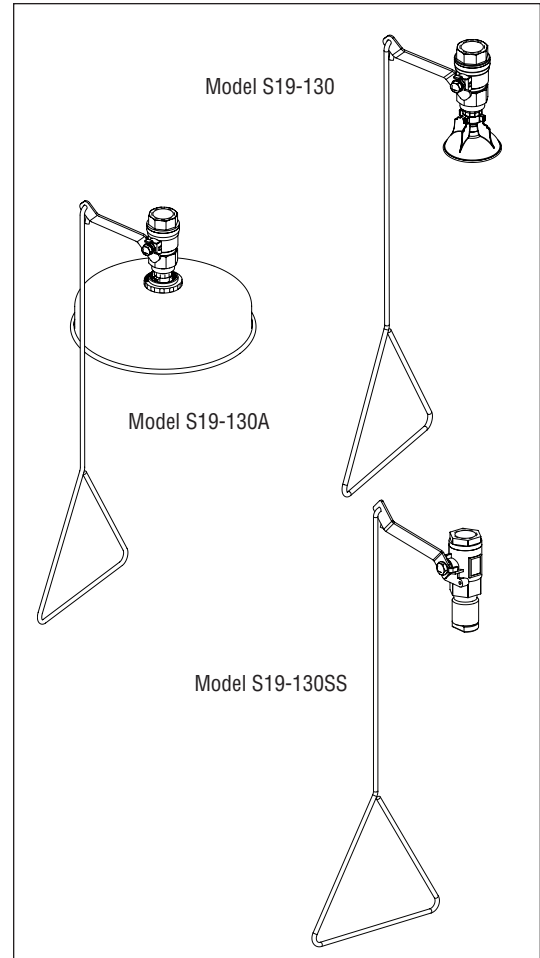
### Specifications

Impact-resistant plastic shower head is colored bright yellow for high visibility in emergency situations. Also available in corrosion resistant stainless steel. Shower pull rod is stainless steel. Galvanized steel piping is additionally protected with BradTect® safety yellow coating. Model S19-130SS is all stainless steel construction.

*Drench shower is designed to accommodate standard 8' ceiling height. ANSI Z358.1 compliant drench showers are mounted between 82"-96" from the lower edge of the showerhead or shroud to the floor.*

*This plumbing fixture is not intended to dispense water for human consumption through drinking or for preparation of food or beverages.*

| Model                              | Description   |
|------------------------------------|---|
| <input type="checkbox"/> S19-130   | Drench Shower w/Vertical Supply - <b>Plastic Showerhead</b>                             |
| <input type="checkbox"/> S19-130A  | Drench Shower w/Vertical Supply - <b>Plastic Showerhead with Stainless Steel Shroud</b> |
| <input type="checkbox"/> S19-130SS | Drench Shower w/Vertical Supply - <b>All-Stainless Steel Fixture</b>                    |
| <input type="checkbox"/> S19-2100  | Navigator EFX25 - Emergency Thermostatic Mixing Valve                                   |



**Recommended Option:**  
 Navigator S19-2100 EFX25  
 Emergency Thermostatic Mixing Valve

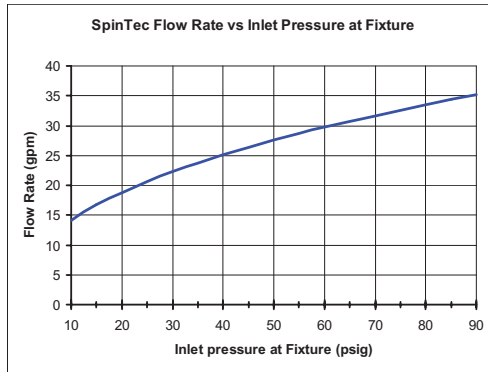
**NAVIGATOR**

Satisfies ANSI Z358.1  
 tepid water requirements.

### Standard Equipment

#### SpinTec™ Showerhead

Standard showerhead is 3.1" (78.7mm) diameter highly visible yellow impact-resistant plastic (Model S19-130A includes a 10<sup>3</sup>/<sub>4</sub>" [273mm] diameter corrosion-resistant stainless steel shroud). High performance corrosion-resistant stainless steel showerhead measures 1-1/2" (38mm) in diameter (Model S19-130SS only). SpinTec drench showerhead features integral 22 GPM (83.3 L) flow control, conserving water and helping to accurately size your tepid water system.



#### Valve

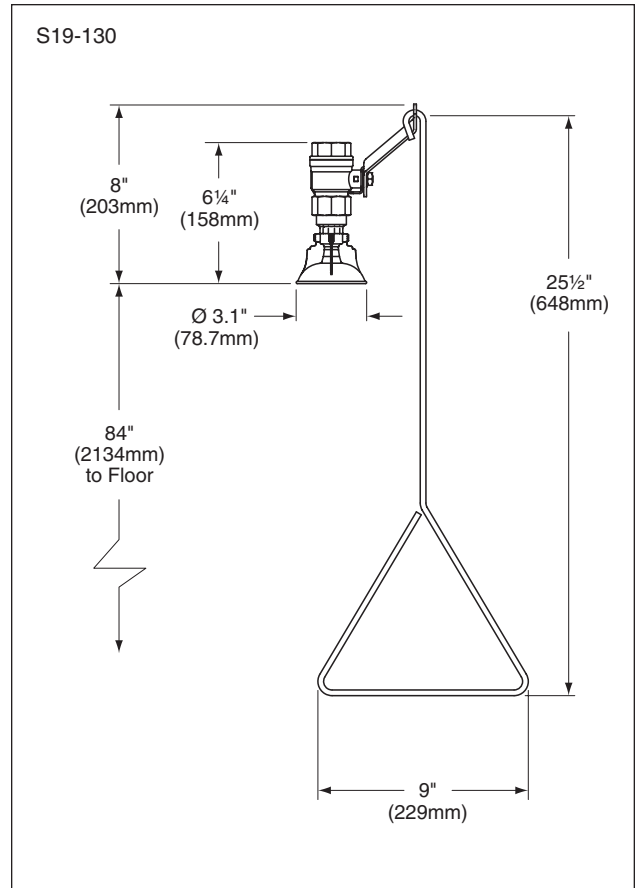
Chrome-plated brass 1" NPT stay-open ball valve, operated by stainless steel pull rod with triangular handle. Model S19-130SS is all stainless steel.

#### Pipe and Fittings

Galvanized steel with BradTect® safety yellow coating. S19-130SS is all stainless steel.

#### Water Supply

1" NPT Vertical.



All dimensions assume standard thread engagement. Variations in manufacturing allow for +/- 1/8" (3mm) per threaded joint. To find the tolerance of a dimension, add the number of thread joints in between a dimension and multiply it by 1/8" (3mm).

