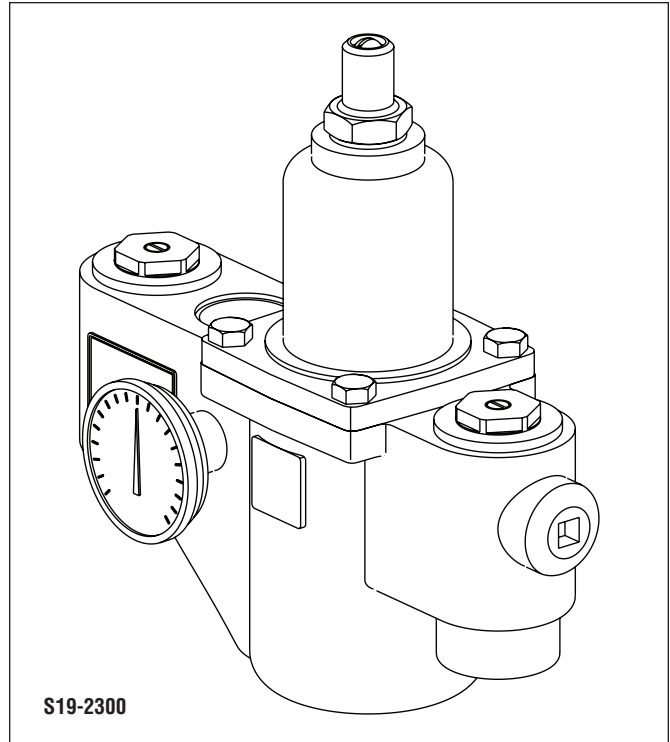


- Meets ANSI Z358.1-2009
- Reliable Liquid-Filled Thermostat with 10-Year Warranty
- Integral Strainer Checkstops on Inlets
- Adjustable Set Point within Temperature Range
- Accurate Temperature Control to within $\pm 3^\circ$ F
- Built-in Cold Water Bypass, Assuring Cold Flow
- Positive Shutoff of Hot Supply When Cold Supply is Lost
- Easy Installation and Serviceability
- Dirt and Lime Resistant
- Dial Thermometer
- Factory Assembled and Tested
- Universal Mounting Capability
- Cabinet Features:
 - 18 Gauge Body & Door
 - Left-Hand Hinge
 - Cylinder Lock
 - Inlet/Outlet Knock-Out Holes for Mounting Flexibility
 - Stainless Steel or Baked White Enamel Finishes
 - Surface-Mounted or Recessed Style



Valve Specifications

Maximum Operating Pressure

125 PSI (860 kPa)

Maximum Inlet Temperature

180° F (82° C)

Recommended Inlet Temperature

120° F (49° C) – 140° F (60° C)

Temperature Range

Std. 65° F (18° C) to 95° F (35° C)

Set Point

85° F (29° C)

Flow Capacities – GPM (L/Min)

| Model | Min. Flow | Pressure Drop – PSI (Bar) | | | | | | |
|-------------------------|---------------|---------------------------|-----------------|-----------------|-----------------|-----------------|------------------|------------------|
| | | 5 (.5) | 10 (1.0) | 15 (1.5) | 20 (2.0) | 30 (2.5) | 45 (3.0) | 60 (4.0) |
| S19-2300 | 3.0 (11.5) | 33.5 (153.0) | 47.5 (216.3) | 58.0 (265.0) | 67.0 (306.0) | 82.0 (342.0) | 100.5 (374.5) | 116.0 (432.5) |
| Cold Bypass Only | | 25.5 (117.3) | 36.5 (166.0) | 44.5 (203.0) | 51.5 (234.5) | 63.0 (262.0) | 77.0 (287.0) | 89.0 (331.5) |

Optional Selections

Finish

- C** Chrome Plated

Piped Assembly

- P** Piped Assembly with Inlet and Outlet Shutoff
 N Piped Assembly only

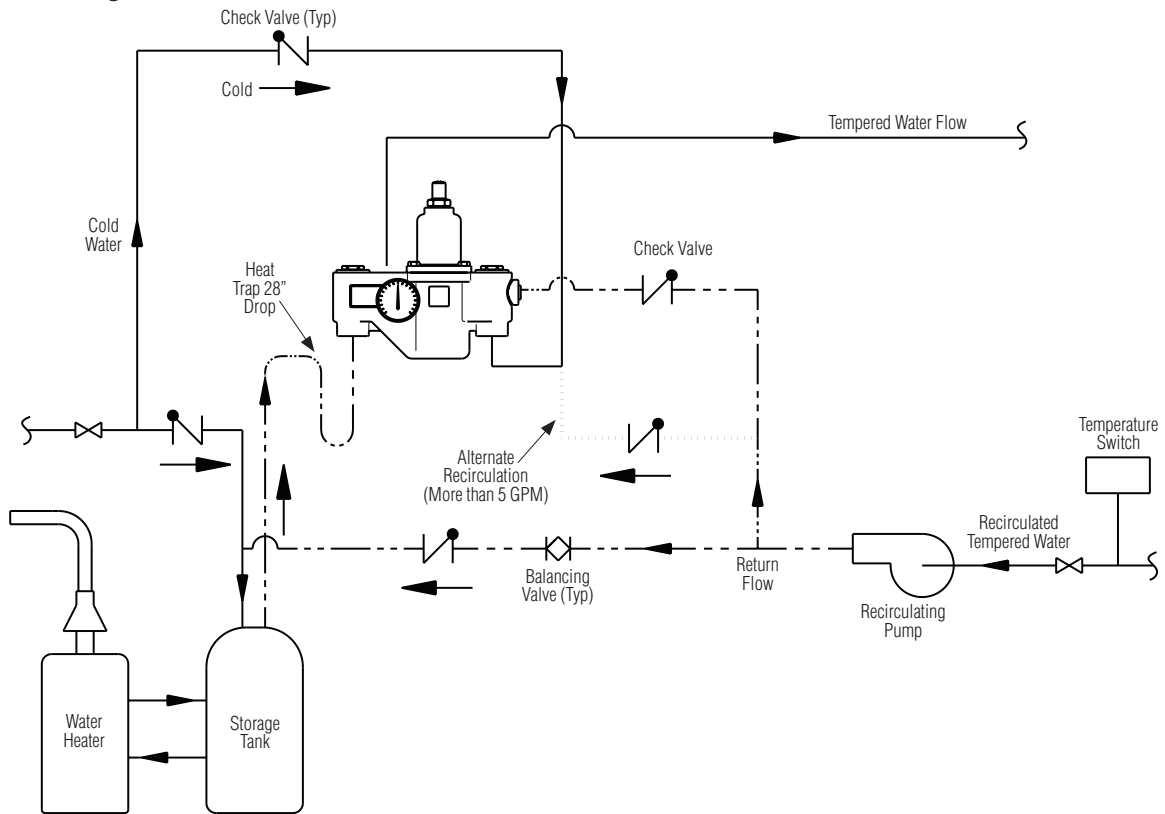
Cabinets

- SS** Surface Mount Stainless Steel
 RS Recessed Stainless Steel
 SE Surface Mount White Enamel
 RE Recessed White Enamel
 W Plexi-glass Window in Door

Engineer's Approval _____

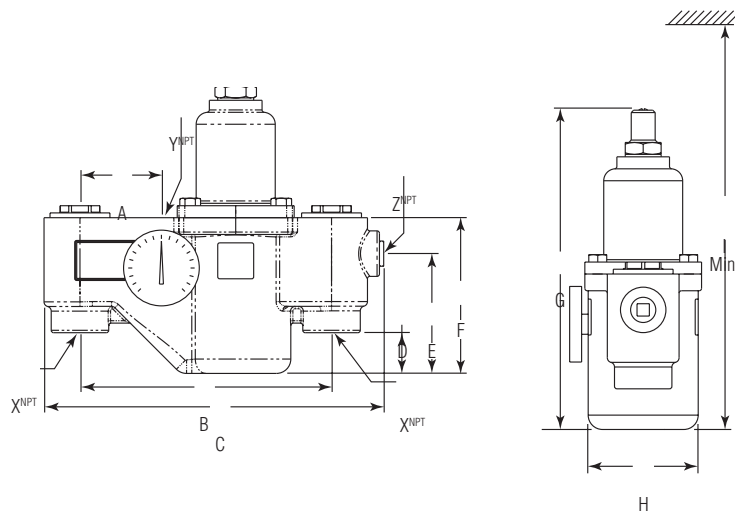
Recirculation Diagram

(mm)

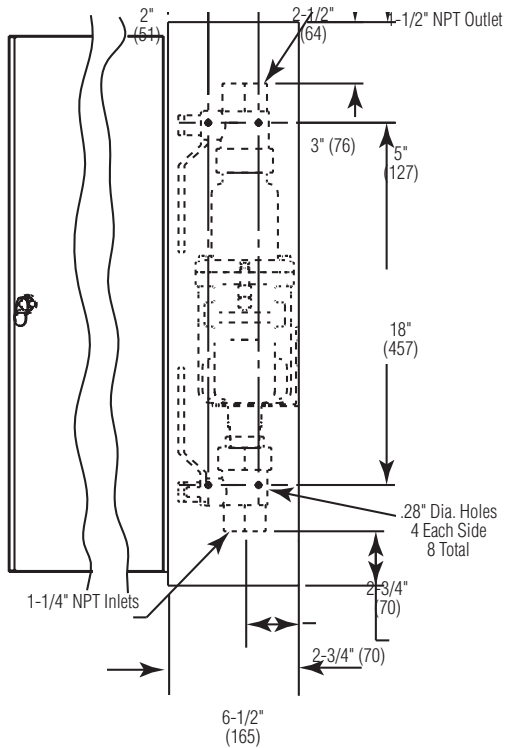


Dimensions

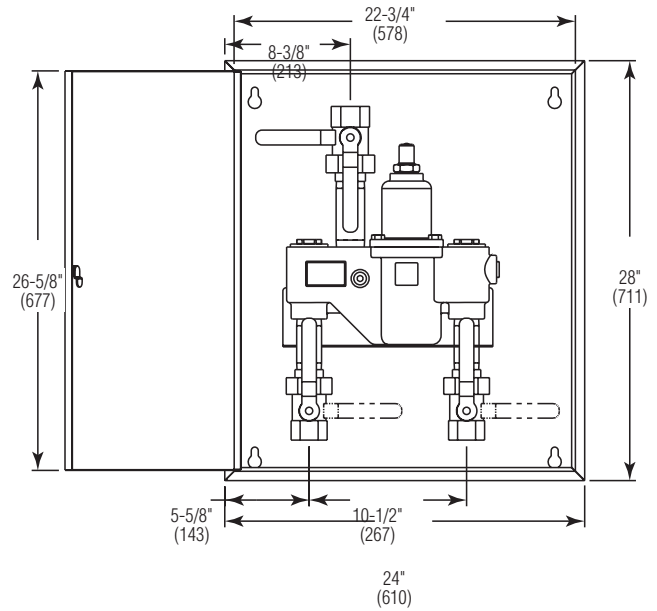
| Model | A | B | C | D | E | F | G | H | I | X ^{NPT} | Y ^{NPT} | Z ^{NPT} |
|----------|-------------|---------------|-----------|-------------|----------|--------------|---------------|--------------|-----------|------------------|------------------|------------------|
| S19-2300 | 2-3/4" (70) | 10-1/2" (267) | 14" (356) | 1-3/4" (45) | 5" (127) | 6-5/8" (169) | 13-1/2" (343) | 4-7/8" (124) | 22" (559) | 1-1/4" | 1-1/2" | 3/4" |



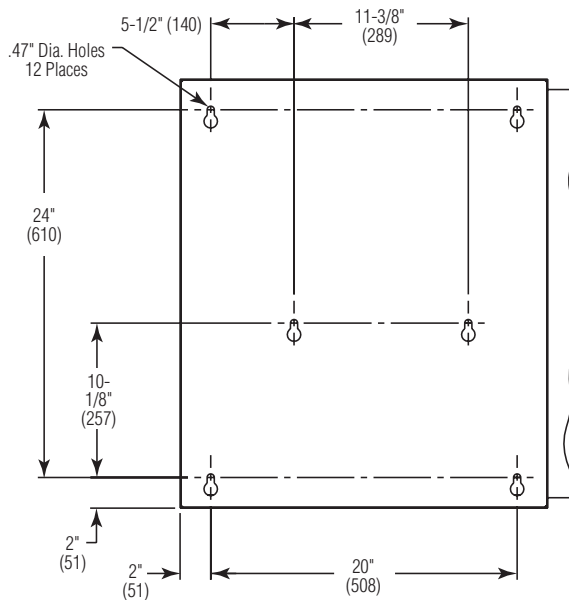
Side View



Front View



Back View



Dimensions — S19-2300 Recessed Cabinet

(mm)

