

- Complies with American National Standard Z358.1
- Right- and Left-Hand Mount Options
- Chrome-Plated Brass Pipe and Fittings
- Universal Identification Sign and Inspection Tag Included
- Full, One-Year Warranty
- Classified by Underwriters Laboratory Inc. to ANSI Z358.1



Specifications

Unit designed to rotate 360 degrees, save space and fit easily into any work environment. Eyewash operates quickly by a large, highly visible push handle. Safe, steady water flow under varying water supply conditions from 30–90 PSI is assured by integral flow control in the sprayhead assembly. NOTE: The ANSI Z358.1 standard requires an uninterrupted supply of flushing fluid at a minimum 30 PSI flowing pressure.

This plumbing fixture is not intended to dispense water for human consumption through drinking or for preparation of food or beverages.

Construction

Pipe and fittings are chrome-plated brass. Includes right- or left-hand mount options.

Standard Equipment

Standard Sprayhead Assembly

Chrome-plated brass sprayhead assembly with twin soft-flow eyewash heads and protective sprayhead covers. Safe, steady water flow under varying water supply conditions from 30–90 PSI is assured by integral flow control in the sprayhead assembly.

Valve

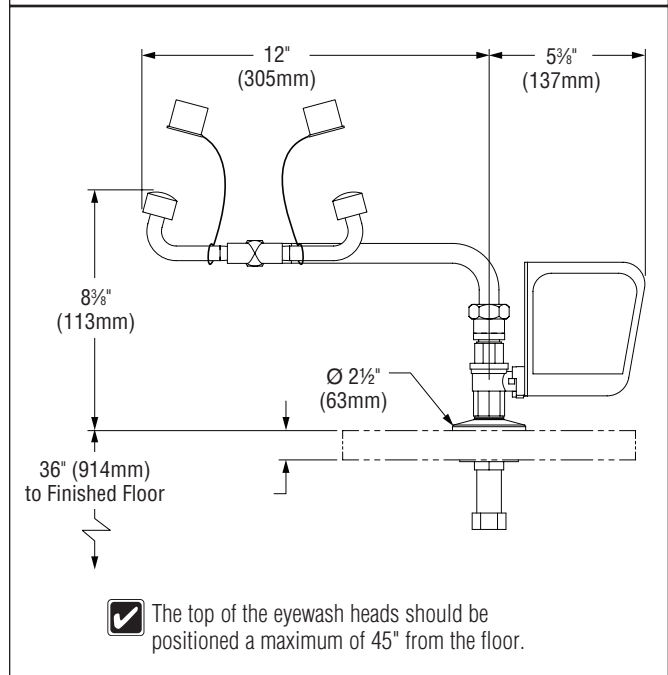
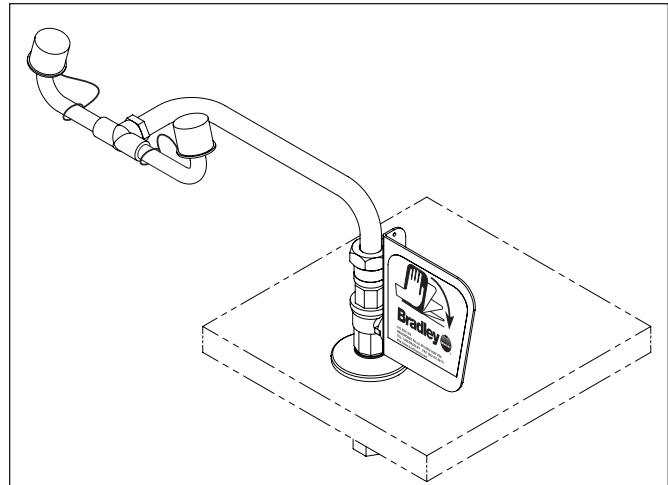
Chrome-plated brass 1/2" NPT stay-open ball valve. Hand operated by a large, highly visible stainless steel push handle.

Pipe and Fittings

Chrome-plated brass.

Water Supply

1/2" NPT.



Recommended Option:
Navigator S19-2000 EFX8
Emergency Thermostatic Mixing
Valve

Satisfies ANSI Z358.1
tepid water requirements.

| Model | Description |
|------------------------------------|---|
| <input type="checkbox"/> S19-270B | Laboratory Application "Swing" Eyewash – Right-Hand Mount |
| <input type="checkbox"/> S19-270BL | Laboratory Application "Swing" Eyewash – Left-Hand Mount |
| <input type="checkbox"/> S19-2000 | Navigator EFX8 - Emergency Thermostatic Mixing Valve |