

- Halo™ Delivers the Most Effective Eye/Face Washdown Coverage and Spray Pattern
- Exceeds American National Standard Z358.1 Specifications
- Durable, Ceramic Valve
- Precise 20° Swing-Down Activation
- Compact, Concealed Unit
- Designed to Mount Between Standard 16" Wall Studs
- Chrome-Plated Brass on Exposed Pipe and Fittings
- Fully-Assembled and Factory-Tested Eyewash or Eye/Face Wash with Hinged Dust Covers
- Universal Identification Sign and Inspection Tag Included
- Halo Eye/Face Wash is Covered by the Following Patent: D662,220; D685,920. Other Patents Pending.

Specifications

Unit design saves space and fits easily into any work environment. Especially ideal for areas where space is limited. Halo eye/face wash provides effective wash down coverage and spray pattern. Integral strainer reduces debris in the water and also prevents clogging. Units operate quickly by pulling swing arm 90° over floor drain. New vandal resistant ceramic valve limits wear and tear on moving parts, providing dependability and long lasting performance. Safe, steady water flow under varying water supply conditions from 30-90 PSI is assured by integral flow control. Unit is flush-mounted in the wall.

Rough-Ins:

S19284H requires a rough wall opening of 14½"W x 21"H x 4"D. S19284J requires a rough wall opening of 14½"W x 21"H x 6"D. Unit is secured to framing with suitable hardware (by installer) at holes provided.

This plumbing fixture is not intended to dispense water for human consumption through drinking or for preparation of food or beverages.

Standard Equipment

Wall Cabinet

Wall cabinet is stainless steel. Brass stop-valve, tailpiece, and fittings are concealed behind a locked, hinged door for easy access.

Eyewash

The Halo eyewash system offers a high performance rinsing platform that provides rapid relief to an individual's eyes that have been injured by chemicals or particulate. The eyewash includes an integral 5.1 gpm flow control providing water at a safe velocity while maintaining its effectiveness (exceeds minimum water flow of 0.4 GPM at 30 PSI). Safe, steady water flow under varying water supply conditions from 30–90 PSI is assured by integral flow control in the sprayhead assembly.

Eye/Face Wash

The Halo eye/face wash system offers a high performance rinsing platform that provides rapid relief to an individual's eyes and face that have been injured by chemicals or particulate. This system provides the most complete face wash available in the market. The eye/face wash includes an integral 5.1 gpm flow control providing water at a safe velocity while maintaining its effectiveness (exceeds minimum water flow of 3.0 GPM at 30 PSI). Safe, steady water flow under varying water supply conditions from 30-90 PSI is assured by integral flow control in the sprayhead assembly.

Valve

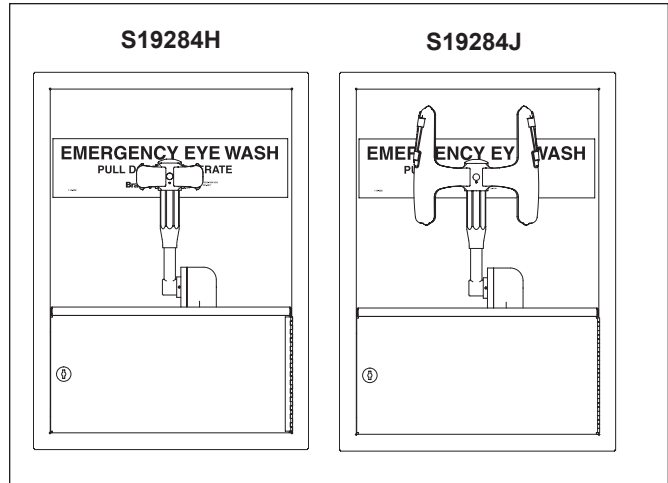
Ceramic ½" NPT stay-open valve. The ceramic discs provide a precise 20° activation and deactivation angle, minimizing excessive splashing when the unit is activated.

Pipe and Fittings

Chrome-plated brass.

Water Supply

½" NPT.

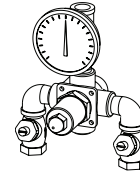


Model	Description
<input type="checkbox"/> S19284H	Cabinet-Mount Swing-Down Halo Eyewash Unit
<input type="checkbox"/> S19284J	Cabinet-Mount Swing-Down Halo Eye/Face Wash Unit
<input type="checkbox"/> S19-2000	Navigator EFX8 - Emergency Thermostatic Mixing Valve

Recommended Option:

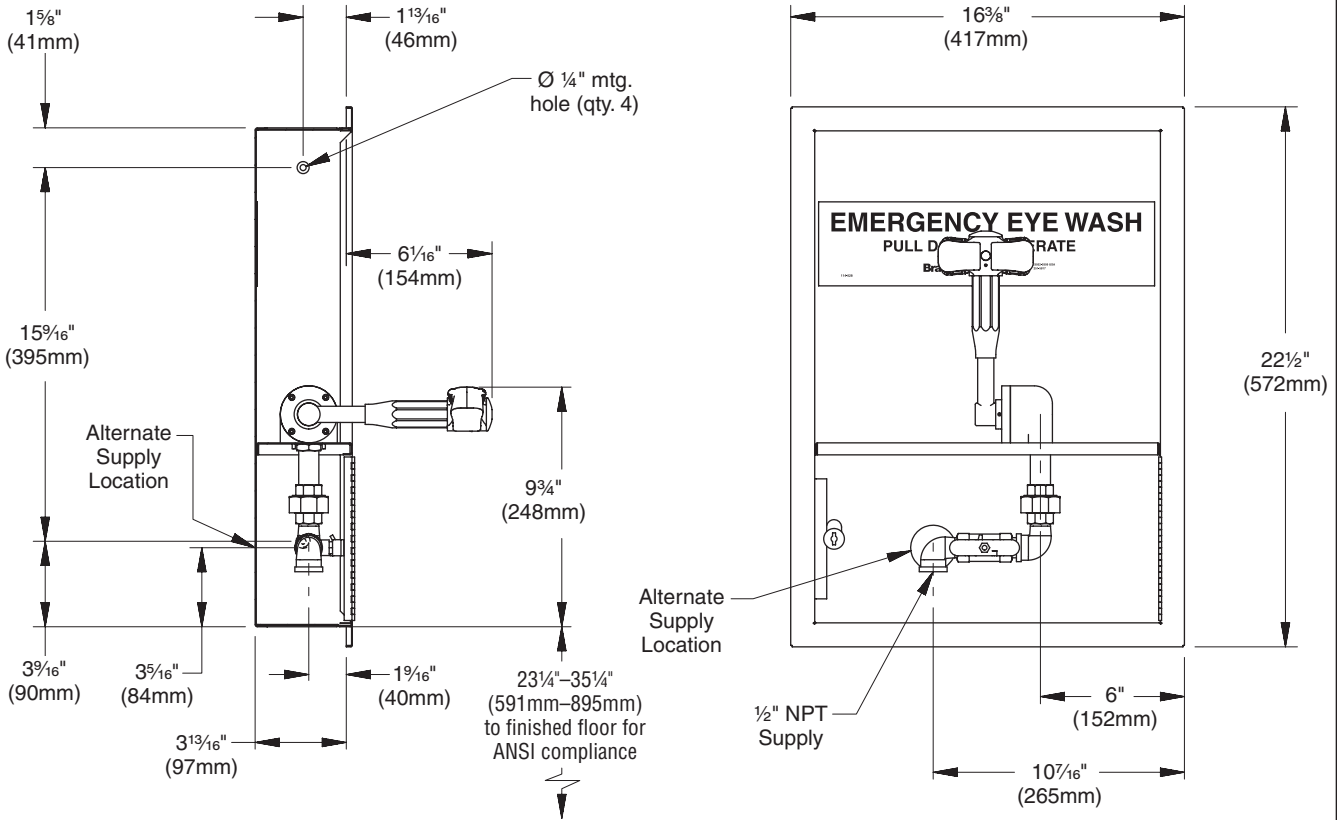
Navigator S19-2000 EFX8
Emergency Thermostatic Mixing Valve

NAVIGATOR



Satisfies ANSI Z358.1
tepid water requirements.

S19284H Dimensions



S19284J Dimensions

