

- Complies with American National Standard Z358.1
- Acts as an Eye/Face Wash and Hand-Held Spray
- For Eyes and Face or Body Rinsing
- Highly Visible Yellow-Colored Hose
- Deck-Mounted Units
- Full, One-Year Warranty
- Classified by Underwriters Laboratory Inc. to ANSI Z358.1



Specifications

Quick-access emergency eye/face spray features soft-flow dual sprayheads for flooding large areas as well as eyes only. Handle stays open once valve is squeezed. Hose is yellow reinforced thermoplastic. Unit is deck-mounted. Operating range is 30–90 psi. Flow rate: 3.9–5.9 gpm. Hand-held hose sprayhead contains an antimicrobial agent to protect the sprayhead.

- This plumbing fixture is not intended to dispense water for human consumption through drinking or for preparation of food or beverages.*
- Drench hoses must provide a controlled flushing fluid flow that is both tepid and non-injurious to the user per ANSI Z358.1. Refer to ANSI Z358.1 for complete regulatory information regarding the performance, installation, maintenance, and training requirements for drench hoses.*
- Installer to supply backflow prevention as required by UPC, IPC and/or local plumbing codes. Contact Bradley or visit bradleycorp.com for available options.*

Standard Equipment

Eye/Face Dual Sprayheads

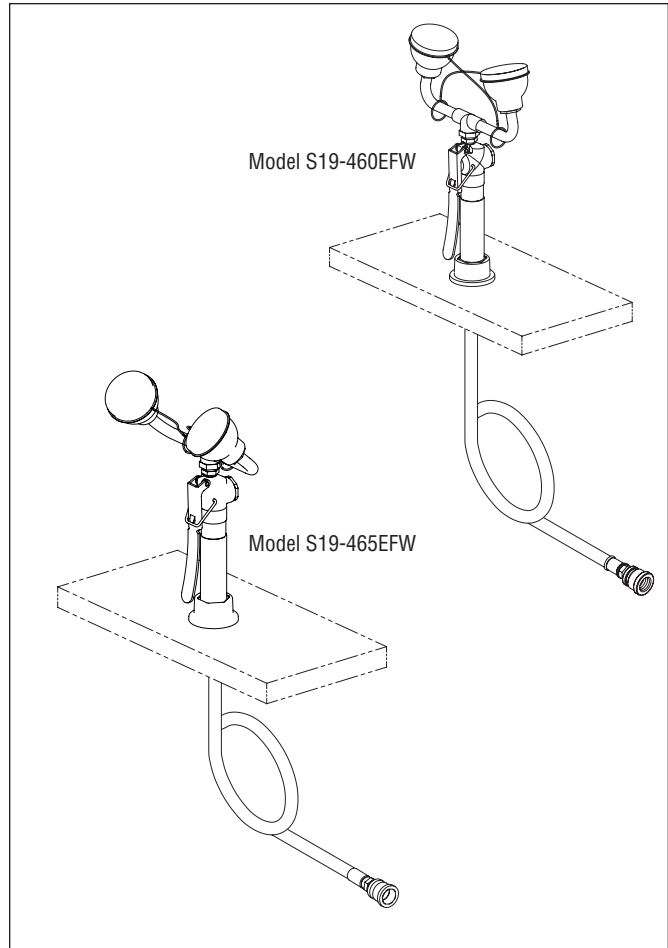
Perforated sprayheads are ABS plastic and feature soft-flow dual sprayheads for flooding large areas as well as eyes only. Include protective sprayhead covers. Integral flow control assures safe, steady flow under varying water supply conditions.

Valve

Chrome-plated brass with extended handle stays open once handle is squeezed.

Drench Hose

8' (2438mm) yellow reinforced thermoplastic hose has 3/8" NPT male thread. Burst strength is 450 PSI.

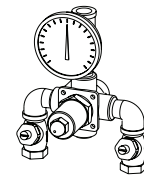


Model	Description
<input type="checkbox"/> S19-460EFW	Deck-Mount Hand-Held Hose Spray with Dual Sprayheads
<input type="checkbox"/> S19-465EFW	Deck-Mount Hand-Held Hose Spray with Dual Angled Sprayheads
<input type="checkbox"/> S27-303	Series 7 Dual-Check Backflow Preventer
<input type="checkbox"/> S45-2309	Series 9 Dual-Check Vacuum Breaker
<input type="checkbox"/> S45-2310	Series 9D Dual-Check Backflow Preventer
<input type="checkbox"/> S19-2000	Navigator EFX8 Emergency Thermostatic Mixing Valve

Recommended Option:

Navigator S19-2000 EFX8
Emergency Thermostatic Mixing Valve

NAVIGATOR



Satisfies ANSI Z358.1
tepid water requirements.

